

DS-2DF8223I-A(AEL)

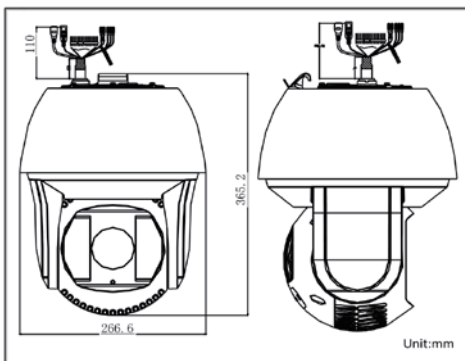
Darkfighter series 2MP 23X WDR IR PTZ Network Camera



Key features

- 1/1.9" High performance CMOS sensor
- 1920*1080P Full HD, 23X Optical Zoom
- Ultra-low illumination
- 120db True WDR
- Smart Tracking
- Smart Detection
- EIS (Electronic Image Stabilization)
- Defog
- Up to 200m IR distance
- High-PoE / 24VAC power supply
- Vandal-proof (IK10)

Dimensions



Accessories



Available models

- DS-2DF8223I-A, 24VAC, outdoor
- DS-2DF8223I-AEL, High-PoE & 24VAC, outdoor

	DS-2DF8223I-A	DS-2DF8223I-AEL
Camera		
Image sensor	1/1.9" Progressive Scan CMOS	
Min. illumination	F1.5, 1/1 sec, 50 IRE, AGC On: Color: 0.02 lux; B/W : 0.002 lux F1.5, 1/30 sec, 50 IRE, AGC On: Color:0.3 lux;B/W : 0.02 lux	
White balance	Auto/Manual/ATW/Indoor/Outdoor/Daylight lamp/Sodium lamp	
AGC	Auto / Manual	
S / N ratio	≥ 55dB	
WDR	120dB	
3D DNR	Support	
Blacklight compensation	HLC / BLC	
EIS	Support	
Defog	Support	
Shutter Time	50Hz: 1-1/30,000s; 60Hz: 1-1/30,000s	
Day & Night	IR Cut Filter	
Digital Zoom	16X	
Privacy Mask	24 privacy masks programmable; optional multiple colors and mosaics	
Focus Mode	Auto / Semiautomatic / Manual	
Lens		
Focal Length	5.9-135.7mm, 23x	
Zoom Speed	Approx.4.4s(Optical Wide-Tele)	
Angle of View	59.8-3.0 degree (Wide-Tele)	
Min. Working Distance	10-1500mm(Wide-Tele)	
Aperture Range	F1.5-F3.4	
Pan and Tilt		
Range	Pan:360° endless; Tilt: -15°~90°(Auto Flip)	
Speed	Pan Manual Speed: 0.1°-160°/s, Pan Preset Speed: 240°/s Tilt Manual Speed: 0.1°-120°/s, Tilt Preset Speed: 200°/s	
Proportional Zoom	Rotation speed can be adjusted automatically according to zoom multiples	
Number of Preset	300	
Patrol	8 patrols, up to 32 presets per patrol	
Pattern	4 patterns, with the recording time not less than 10 minutes per pattern	
Power-off Memory	Support	
Park Action	Preset / Patrol / Pattern / Pan scan / Tilt scan / Random scan / Frame scan / Panorama scan	
PTZ Position Display	On / Off	
Preset Freezing	Support	
Scheduled Task	Preset / Patrol / Pattern / Pan scan / Tilt scan / Random scan / Frame scan / Panorama scan/Dome reboot/Self-test action/Alarm output	
Smart features		
Smart tracking	Auto /Intrusion trigger /Line crossing trigger/Manual	
Smart detection	Face detection, intrusion detection, line crossing detection, audio exception	
ROI encoding	Support 24 areas with adjustable levels	
Infrared		
IR Distance	Up to 200m	
IR Intensity	Automatically adjusted, depending on the zoom ratio	
Alarm		
Input / Output	7 inputs / 2 relay outputs	
Trigger mode	Smart detection trigger, Motion detection, Dynamic analysis, Tampering alarm, Network disconnect, IP address conflict, Storage exception	
Action	Smart tracking, Preset, Patrol, Pattern, SD card recording, Relay output, sent to VMS	
Input/ Output		
Monitor Output	1.0V[p-p] / 75Ω, NTSC (or PAL) composite, BNC	
Audio Input	1 Mic in/Line in interface, line input: 2-2.4V[p-p]; output impedance: 1KΩ, ±10%	
Audio Output	1 Audio output interface, line level, impedance: 600Ω	
Network		
Ethernet	10Base-T / 100Base-TX, RJ45 connector	
Main Stream	50Hz: 25fps(1920×1080, 1280×960, 1280×720); 60Hz: 30fps(1920×1080, 1280×960, 1280×720)	
Sub Stream	50Hz: 25fps(704×576, 352×288, 176×144); 60Hz: 30fps(704×480, 352×240, 176×120)	
Third Stream	50Hz: 25fps(1920×1080, 1280×960, 1280×720, 704×576, 352×288, 176×144) 60Hz: 30fps(1920×1080, 1280×960, 1280×720, 704×480, 352×240, 176×120)	
Image Compression	H.264/MJPEG/MPEG4, H.264 encoding with Baseline/Main/High profile	
Audio Compression	G.711ulaw/G.711alaw/G.726/MP2L2/G.722	
Protocols	IPv4/IPv6, HTTP, HTTPS, 802.1X, QoS, FTP, SMTP, UPnP, SNMP, DNS, DDNS, NTP, RTSP, RTP, TCP, UDP, IGMP, ICMP, DHCP, PPPoE	
Simultaneous Live View	Up to 20 users	
User/Host Level	Up to 32 users,3 Levels: Administrator, Operator and User	
Security Measures	User authentication (ID and PW); Host authentication (MAC address); IP address filtering	
General		
Application programming	Open-ended API, support ONVIF, PSIA and CGI	
Client software	Hikvision iVMS-5200 / iVMS-4200. Third-party open platform.	
Web Browser	IE 7+, Chrome 18+, Firefox 5.0+, Safari 5.02+, support multi-language	
RS-485 Protocols	HIKVISION, Pelco-P, Pelco-D, self-adaptive	
Micro SD Card	Support up to 64GB Micro SD/SDHC/SDXC card. Support Edge recording	
Power	-A: 24 VAC, Max. 50W	-AEL: High-PoE&24 VAC, Max.65W
Working Temperature	-A: -30°C ~ 65°C(-22°F ~ 149°F)	-AEL: -40°C ~ 65°C (-40°F ~ 149°F)
Humidity	95% or less	
Protection Level	IP66, IK10, TVS 6,000V lightning protection, surge protection and voltage transient protection	
Dimensions	Φ266.6(mm)×365.2(mm)	
Weight (approx.)	8kg (approx.)	
Mount Option	Long-arm wall mount: DS-1601ZJ; Corner mount: DS-1601ZJ-corner; Pole Mount: DS-1601ZJ-pole; Power box mount:DS-1601ZJ-box	