

# Net2 Paxlock

## System specifications

Maximum total users/tokens	50,000
Token compatibility	Paxton EM Mifare
Stored events	3584
Handsfree compatible	No
Door open time	1 sec - 60 secs
Silent operation	No

## Electrical

Battery type	4 x AA 1.5V Alkaline
Battery life	Normal power mode: 30,000 operations or up to 2 years (typical) Low power mode: 60,000 operations or up to 3 years (typical)

## Communication

TCP/IP	No
Wireless	Yes 2.4GHz (802.15.4)
RS485	No
Recommended wireless devices per Net2Air Bridge	10
Optimum wireless range	15m/50ft
Encryption	AES 128bit

## Features

Door widths supported	35mm - 65mm/1.4" - 2.5"
Door contact	Yes
Rear handle exit request	Yes
Low battery warning	Yes
Flat battery jumpstart terminals	Yes

## Lock case compatibility

Backset	35mm/1.4"
Rotation	35°
Cylinder type	Euro profile
Case size	200mm/ 7.9"
Escape function	Refer to Paxton support regarding compatibility
Lock cylinder suitability	Door width + 42mm/1.65" <i>(For further information and advice regarding lock cylinders please call the Paxton support team.)</i>

## Environment

Operating temperature	0°C - +55°C +32°F - +131°F
Moisture resistance	No - not suitable for external use
Vandal Resistance	Low
Fire resistance	EN 1634-1:2008 - FD30 and FD60

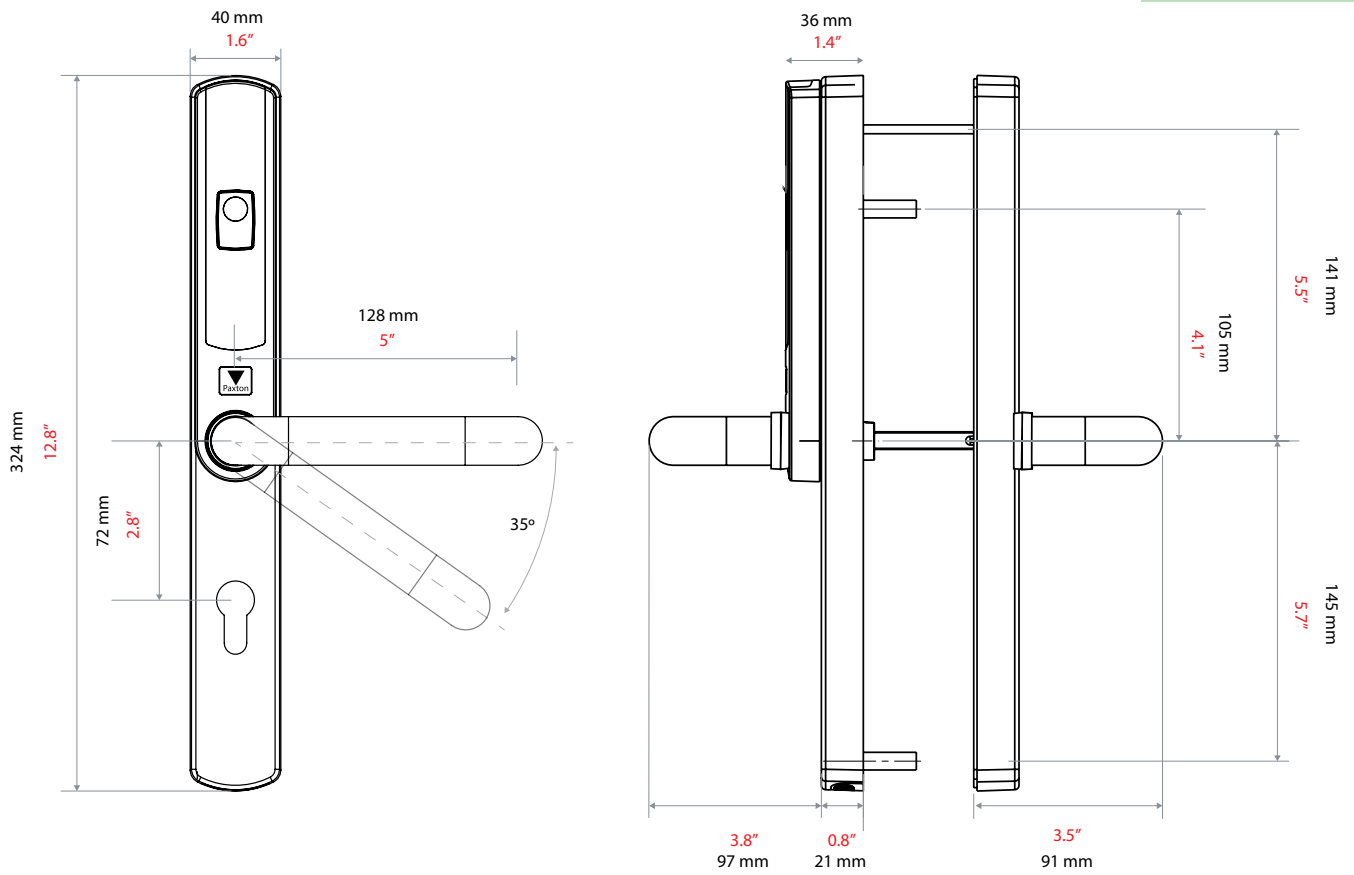


Net2 PaxLock offers a powerful wireless Net2 system within a door handle. It combines a wireless access control unit and a reader in one. There are several versions of Net2 PaxLock available; Paxton and Mifare compatible versions, both of which come with or without the option of key override.

Net2 PaxLock communicates with Net2 software at a central point by a secure, low power radio link, and events are reported back to the server in real-time. Net2 PaxLock is battery powered, which means that the unit is totally wireless as it does not require mains power.

Other hardware features:

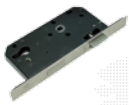
- Available in both Paxton and Mifare formats.
- Wireless real-time event reporting.
- When PaxLock is unlocked handle moves freely.
- Distance from the handle to the cylinder (centres): 70mm to 92mm.
- Square spindles available: 7mm, 8mm, 8mm split.



Accessories and sales codes

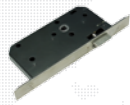
Net2 Paxlock - 48mm Euro	901-148	Net2 Paxlock Mifare - 72mm Euro	901-272
Net2 Paxlock Mifare - 48mm Euro	901-248	Net2 Paxlock - No Key Override	901-110
Net2 Paxlock - 72mm Euro	901-172	Net2 Paxlock Mifare - No Key Override	901-210

PaxLock - Mortice sash lock - 72mm centre



901-010

PaxLock - Mortice latch



901-020

PaxLock Mortice escape sash lock - 72mm centre



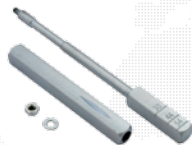
901-030

Net2 PaxLock cover plate - Set of 2



901-060

PaxLock Split spindle - 8mm



901-035

Net2 PaxLock blank inner handle cover - Pack of 5



901-050